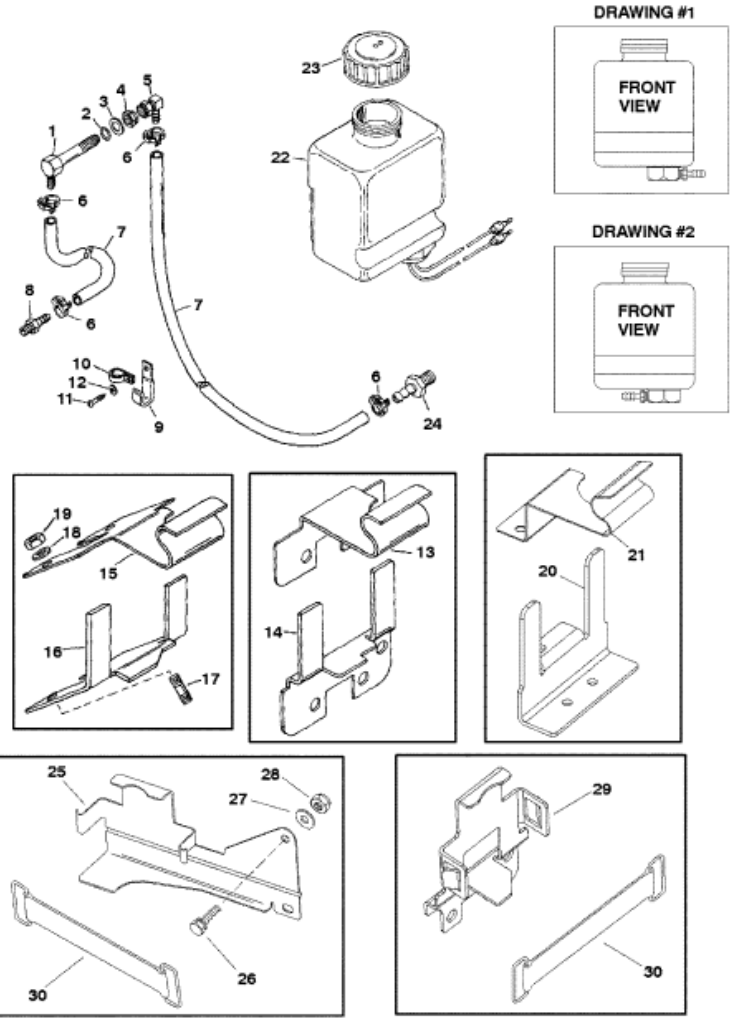


Parts List



Ref	Class	Part	Description	Qty	Comment	Footnote
1	22	18922	CONNECTOR	1		
2	25	20195	O-RING	1		
3	12	91964	WASHER	1		
4	11	35053	NUT (7/16-20)	1		
5	22	18923	FITTING	1		
6	54	41582 5	CLAMP	4		
7	32	19409 71	HOSE	2		
8	22	16739	CONNECTOR	1		
9	54	64235 1	J-CLIP	1		
10	54	23567	CLIP	1		
11	10	60605	SCREW (#10-16 X 3/4 IN.)	1		
12		69205	C-WASHER	1		
13		806293T	BRACKET	1	3.0LX	
14		807024T	BRACKET	1	3.0LX	
15		806292T	BRACKET	1	4.3L/4.3LX/5.7L5.7LX/350 MAGN	
16		807025T	BRACKET	1	4.3L/4.3LX/5.7L5.7LX/350 MAGN	
17	16	805357	STUD	2	4.3L/4.3LX/5.7L5.7LX/350 MAGN	
18	12	20553	WASHER	2	4.3L/4.3LX/5.7L5.7LX/350 MAGN	
19	11	32219	NUT (3/8-16)	2	4.3L/4.3LX/5.7L5.7LX/350 MAGN	
20		806649T	BRACKET	1	5.7L (TBI)/5.7LX (TBI)	
21		806650T	BRACKET	1	350 MAG. (TBI)(GEN+)/262 MAG.	
22		806193A 3	BOTTLE	1	(FITTING POINTING TOWARD R	
22		806193A13	BOTTLE	1	(FITTING POINTING TOWARD L	
23	36	808625	CAP	1		
24	22	808624	CONNECTOR	1		
25		807839T	BRACKET	1	4.3LX/4.3LXH/262 MAG. EFI	
26	10	65746 1	SCREW (1/4-20 X 5/8 IN.)	1	4.3LX/4.3LXH/262 MAG. EFI	
27	12	69057	WASHER	1	4.3LX/4.3LXH/262 MAG. EFI	
28	11	72008	NUT (1/4-20)	1	4.3LX/4.3LXH/262 MAG. EFI	
29		860065A 1	BRACKET	1	3.0LX/5.7L/LX & 350 MAGNUM (I	
30		808023T	STRAP	1		